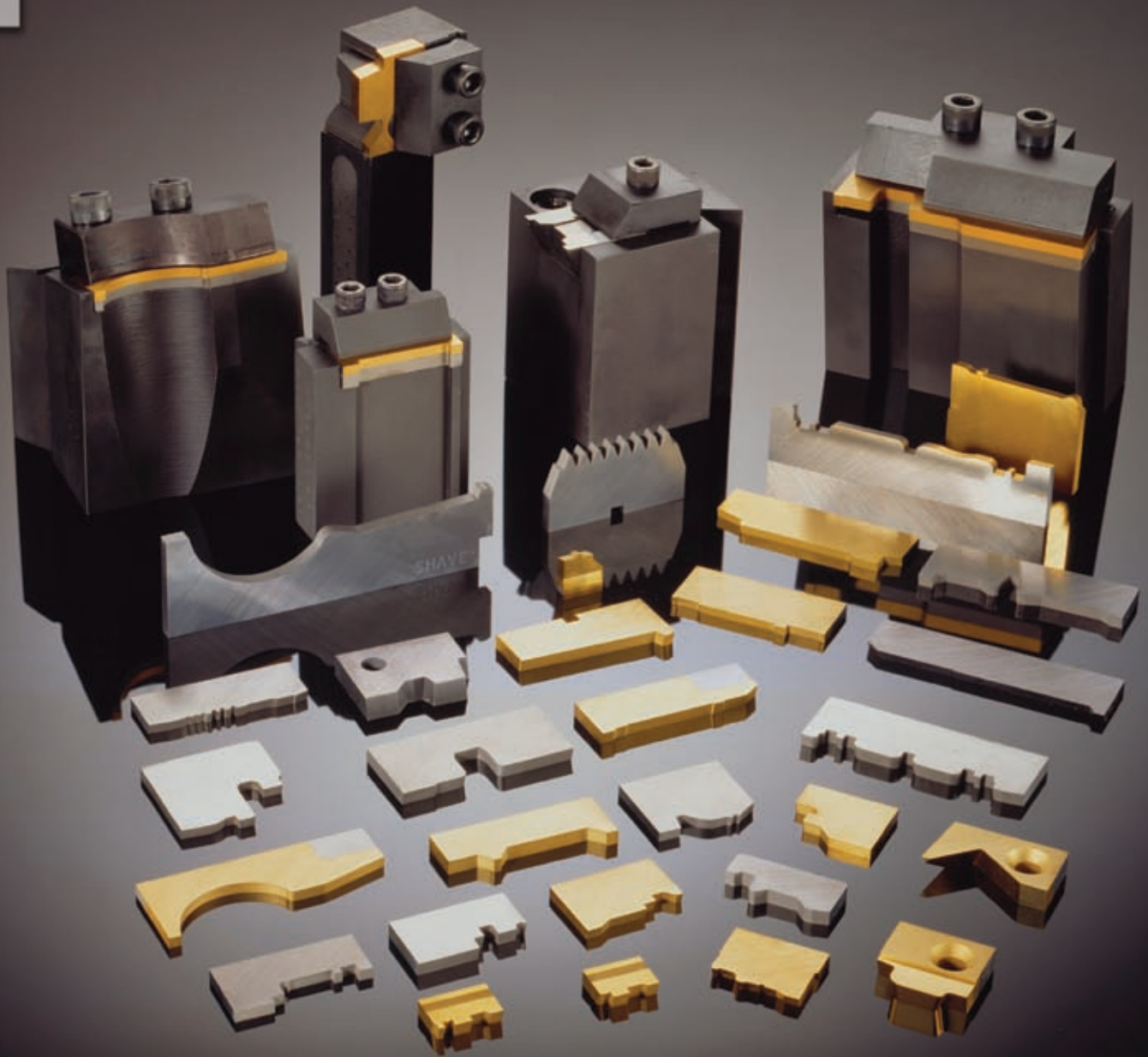




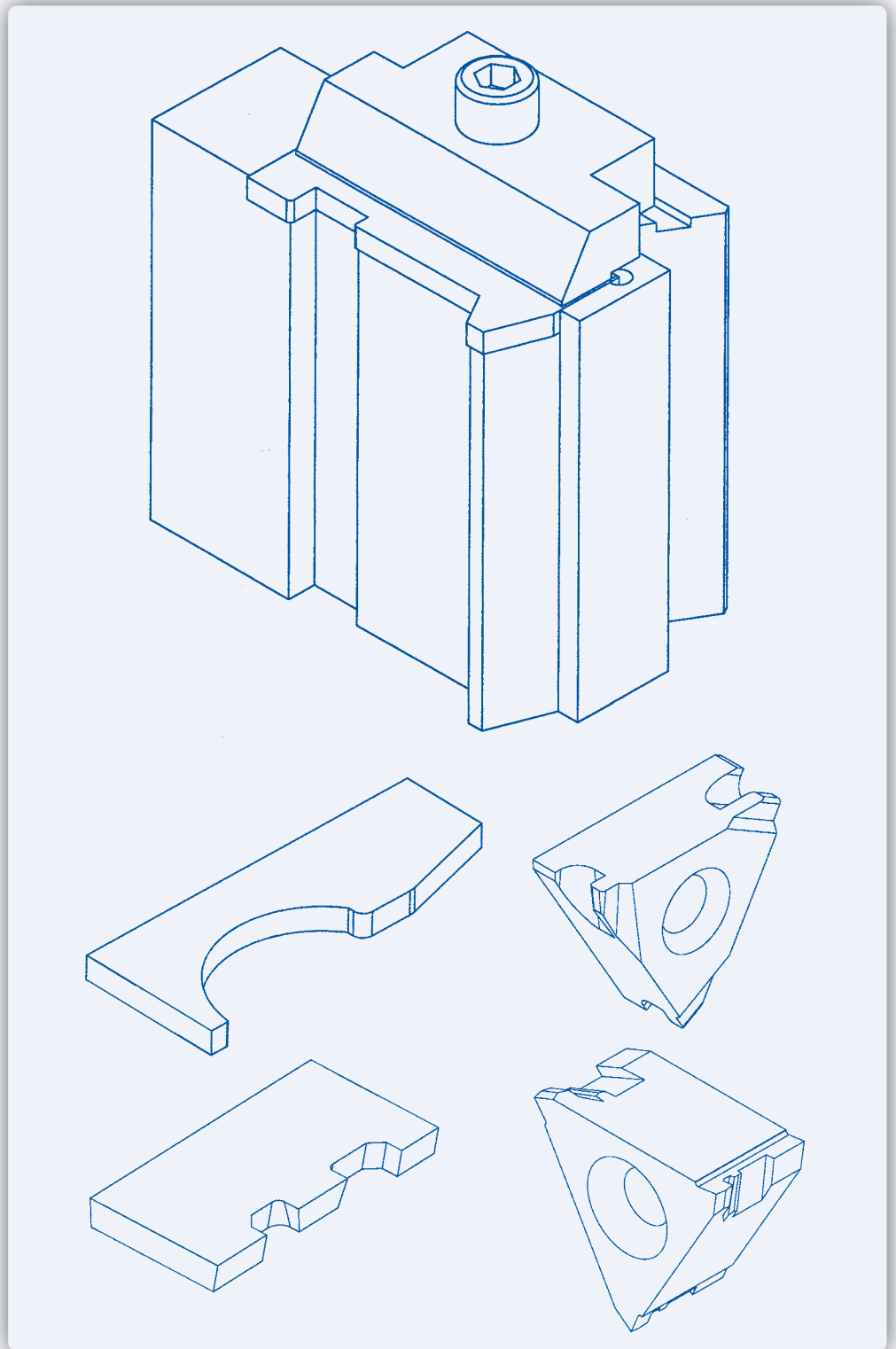
Posa-Cut Corporation



**POSA-FORM
INSERT FORM TOOLING**

POSA-FORM INSERT FORM TOOLING

- Ideal for Long Run Environments
- Reduced Downtime
 - Fewer Tool Changes
 - Faster Tool Changeover
- Improved Productivity
 - Optimal Geometries, Grades, & Coatings Designed for Any Application
 - Eliminates Downtime Due to Resharpenering
- Insert Tooling
 - Increased Tool Life
 - Superior Surface Finish
 - Improved Geometries
 - Available in a Variety of Grades & Coatings
 - Single & Multiple Cutting Edge Design Advantage
 - Holder Design
 - Form & Shave
 - Dovetail, Circular or Shank Style
 - Custom Holders
- Full Service Engineering Department
 - Custom Designs Available
- Expedited Delivery Available



23600 Haggerty Road · Farmington Hills, MI 48335 · 800-966-POSA (7672) · 248-474-5620 ph · 248-474-0630 fax

www.posacut.com